

**SATRON VDU differential pressure transmitter** belongs to V-series transmitters. SATRON VDU differential pressure transmitter is used from 0-4 kPa to 0-3 MPa ranges (static pressure + measuring range). It is a 2-wire transmitter with HART® standard communication. In pressure measuring applications SATRON VDU diff.pressure transmitters are used for measuring the pressure of clean, sedimenting, crystallizing and sticking materials. The transmitter's sensor is piezoresistive. The rangeability is 25:1.

### TECHNICAL SPECIFICATIONS

#### Measuring range and span

See Selection Chart.

#### Zero and Span adjustment

Zero elevation: Calibrated span is freely selectable on the specified range. This can be made by using keyboard or HART®275 communicator.

#### Damping

- Time constant is continuously adjustable 0,01 to 60 s.

#### Temperature limits

Ambient: -30 to +80 °C

Process: -30 to +125 °C

0 to +200 °C (temp. code **H**)

Shipping and storage: -40 to +80 °C.

Operating temperature of display: 0 to +50°C (does not affect operation of the transmitter)

**Pressure limits** Min. and max. process pressure: See the appended tables.

#### Volumetric displacement

< 0.5 mm<sup>3</sup>/max. span (in both sensors)

**Output** 2-wire (2W), 4-20 mA, user selectable for linear, square root, inverted signal or the transfer function (16 points)specified by the user

#### Supply voltage and permissible load

See the load capacity diagram;

4-20 mA output: 12 - 35 VDC.

#### Humidity limits

0-100 % RH; freezing of condensed water not allowed in reference pressure channels.

### PERFORMANCE SPECIFICATIONS

Tested in accordance with IEC 60770:

Reference conditions, specified span, no range elevation, horizontal mounting; AISI316L diaphragm, silicone oil fill.

#### Accuracy

±0.2 % of calibrated span

(span 1:1-7.5:1 /max.range).

On the measuring ranges 7.5:1-25:1:

$\pm[0.02+0.024 \times (\frac{\text{max.span}}{\text{calibrated span}})]\%$  of calibrated span

Special accuracy types **BA** and **DA** :

(Temperature effect on +20 to +70 °C)

±0,15 % of calibrated span, only

process connections **BA** and **DA** / temperature effect code **S**, for spans 1:1-7,5:1).

<sup>1)</sup> Parts in contact with process medium

On the measuring ranges 7,5:1-25:1:

$\pm[0.01+0.007 \times (\frac{\text{max.span}}{\text{calibrated span}})]\%$  of calibrated span

(incl. nonlinearity, hysteresis and repeatability)

#### Long-term stability

±0.2 % / max. span / year

#### Temperature effect

- on -20 to +80 °C range

Zero and span error:

±0.3 % of max. span.

- on 0 °C to +200 °C range

(process temperature code **H**)

±2 % of max. span, VDU6

±4 % of max. span, VDU4, VDU5

#### Temperature effect

- on +20 °C to +70 °C,

process connections **BA** and **DA**

Zero and span error:

±0.15 % of max.span, code **S**

#### Mounting position effect

Zero error < 0.32 kPa, which can be calibrated out.

#### Vibration effect (IEC 68-2-6: FC):

±0.1 % of measuring range/

2g/10 to 2000 Hz

4g/10 to 100 Hz

#### Power supply effect

< ±0.01 of calibrated span per volt

#### Insulation test voltage

500 V rms 50 Hz

### CONSTRUCTION AND CALIBRATION

#### Materials

Diaphragm <sup>1)</sup>: AISI316L (EN 1.4435), Duplex (EN 1.4462), Hast. C276 (EN 2.4819), CoNi-alloy, Titanium Gr2 (EN 3.7035), Nickel or Tantalum.

Coupling <sup>1)</sup>: AISI316L (EN 1.4404), Duplex (EN 1.4462), Hast.C276 (EN 2.4819) or Titanium (EN 3.7035)

Other sensing element materials:

AISI316, AISI303.

#### Pressure limits

Transmitter type	Max. overload pressure, MPa	Max. operating range (=static pressure +meas. range), kPa	Pressure class
VDU4	0.3	100	PN40
VDU4/5	0.3	250	PN40
VDU5	1.5	500	PN40
VDU5/6	1.5	1000	PN40
VDU6	7.5	3000	PN100



**Filling fluid:** Silicone oil, food industry oil or inert oil

**Enclosure class** IP66

#### Electronics housing:

AISI303/316, Seals: nitrile rubber and Viton®, Nameplates: Polyester

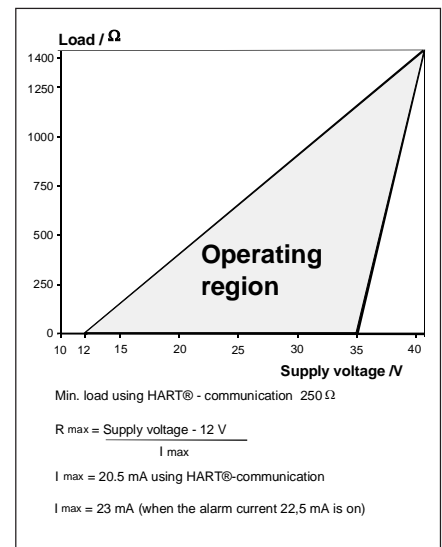
#### Calibration

For customer-specified range with 1 s. damping. (If range is not specified, transmitter is calibrated for maximum range.)

#### Process connections

See Selection Chart

Process couplings: See Selection Chart and installation instructions or technical specification: Couplings for Transmitters **G150**.



#### Min. process pressure

T <sub>proc.</sub> °C	Minimum pressure for different fill fluids (kPa, abs)	
	DC200 100 cSt	Inert oil
20	5	8
40	8	10
80	16	28
120	21	53

### Electrical connections

M20x1.5, 1/2-NPT ; screw terminals for 0.5 to 2.5 mm<sup>2</sup> wires and with PLUG connector, connector type DIN 43650 model AF; Pg9 gland for cable; wire gross-section 0.5 to 1.5 mm<sup>2</sup>.

### Product Certifications

### European Directive Information

### Electro Magnetic Compatibility (EMC directive 2004/108/EC)

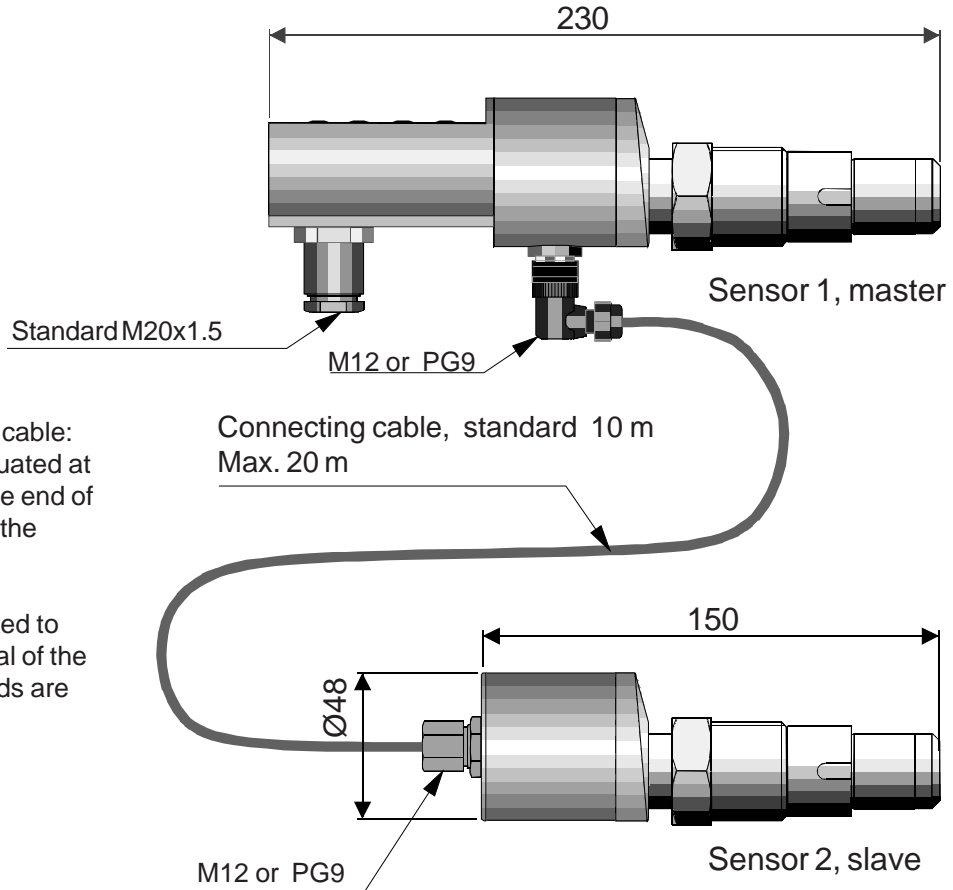
All differential pressure transmitters  
**European Pressure Equipment Directive (PED) (97/23/EC)**

All Differential Pressure Transmitters:  
- Sound Engineering Practice

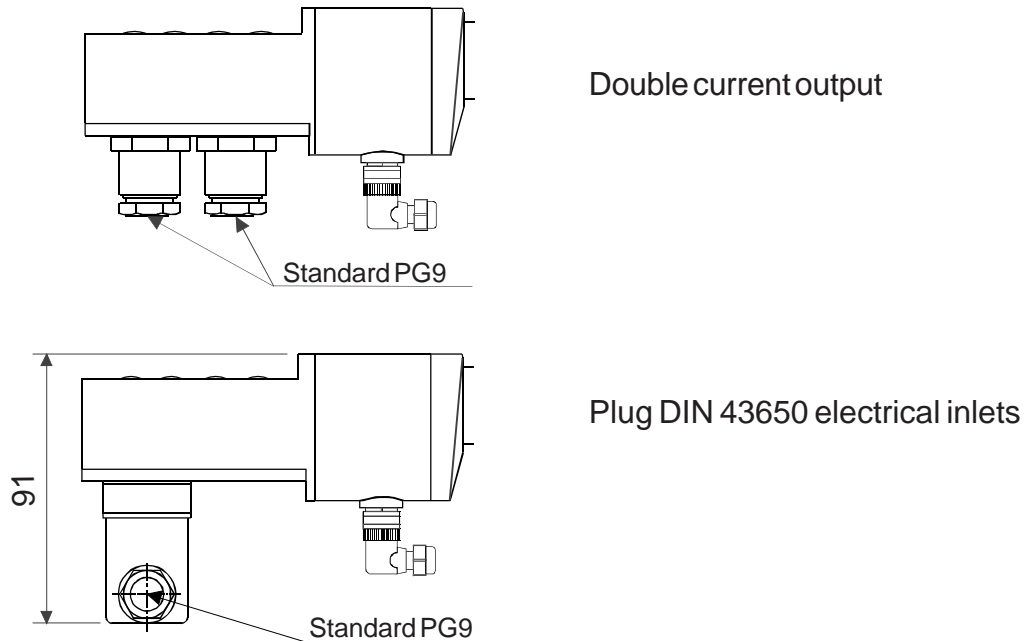
### Weight

Mounting type	Weight / kg				
	Extension code				
	0	2	4	6	
Flange	DN50	8.8	10	10.5	11
	DN80	13.5	15.8	16	16.8
SA (Sandvik)	-	8.2	10.6	12.8	
Tx (Tri-Clamp)	2.4	-	-	-	
PA (PMC 1")	1.8	-	-	-	
BA, VA, WA	1.8	-	-	-	
UA, VB, WB	2.6	-	-	-	
G1...G4	2.5	-	-	-	

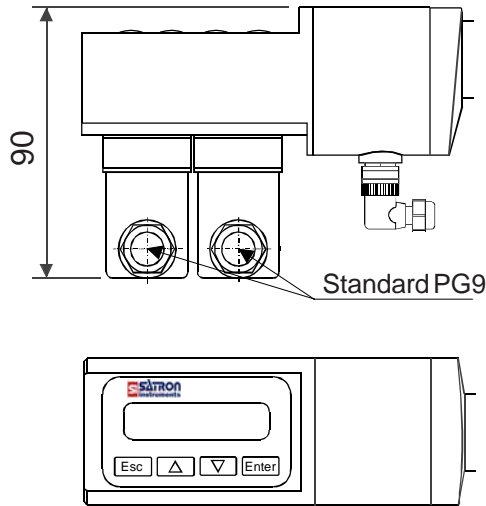
### Dimensions (mm)



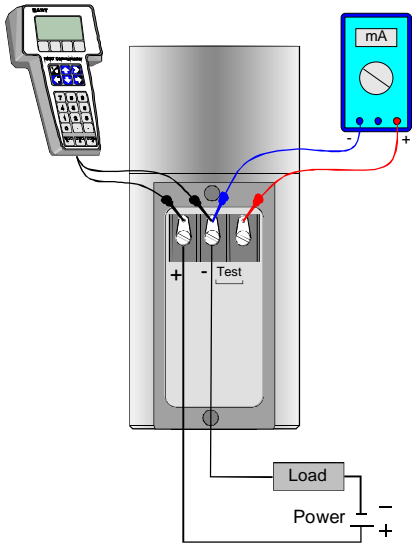
### Dimensions (mm)



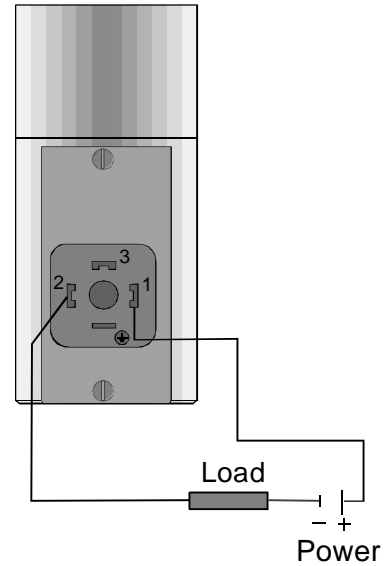
Dimensions (mm)



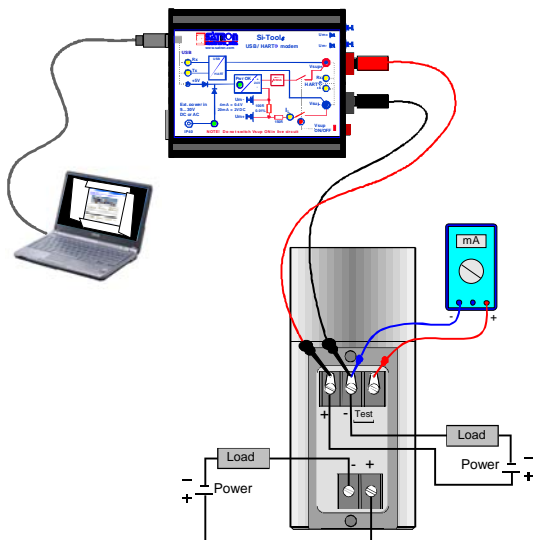
Double current output with  
plug DIN43650 connector



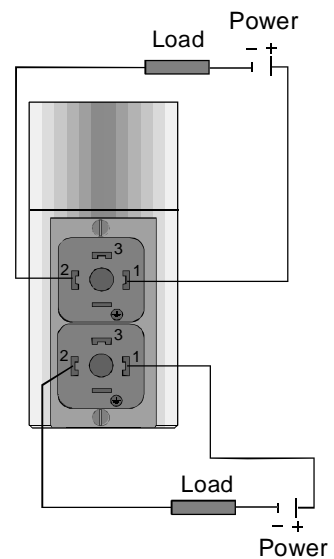
Wiring one current output



Wiring one current output, plug DIN43650 connector

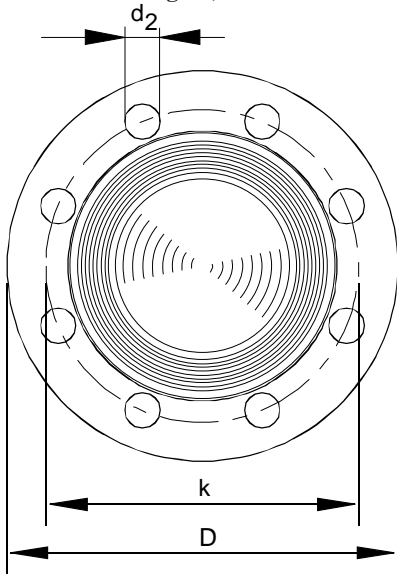


Wiring double current output

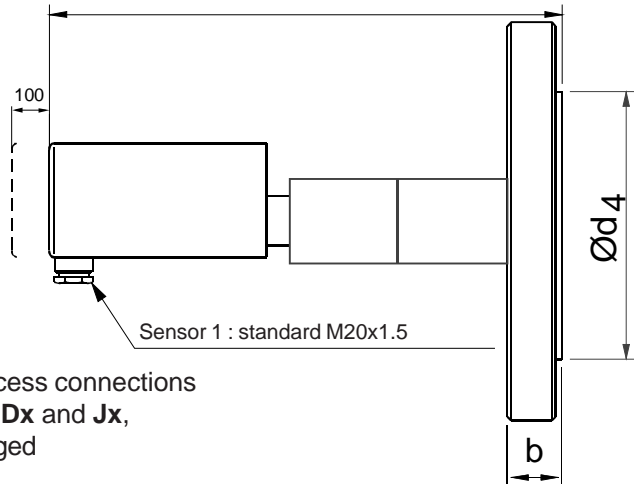


Wiring double current output, plug DIN 43650 connector

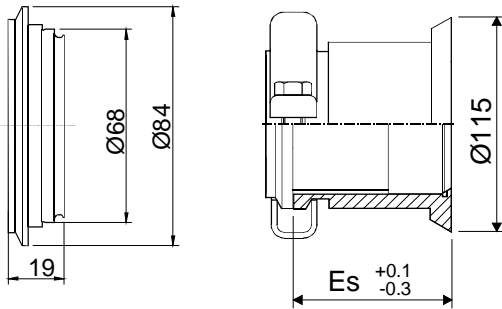
Dimensional drawings (dimensions in mm)



Sensor 1 (master) 275  
Sensor 2 (slave) 190



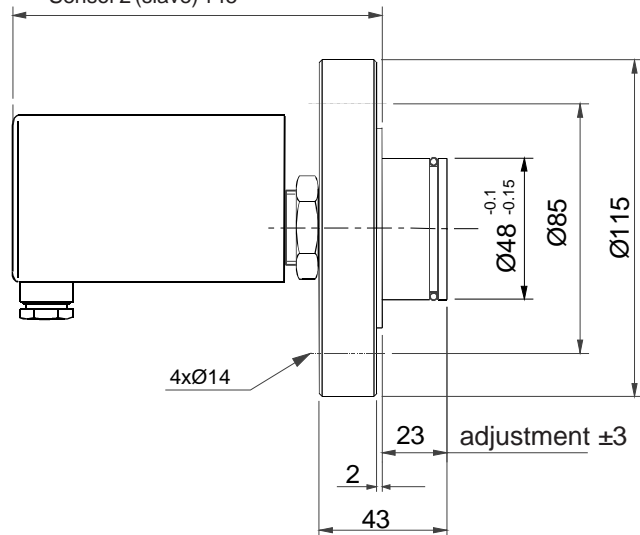
Process connections  
**Ax, Dx and Jx,**  
flanged



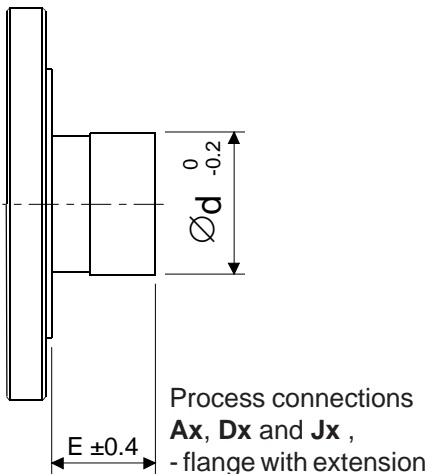
Process connection **UA**,  
- Tuchenhagen DN50/40  
(Varivent®)

Process connection **SA**,  
- Sandvik-clamp

Sensor 1 (master) 225  
Sensor 2 (slave) 145



Process connection **DA**, DN25 PN40 flange with  
extension, process temperature max. +125°C

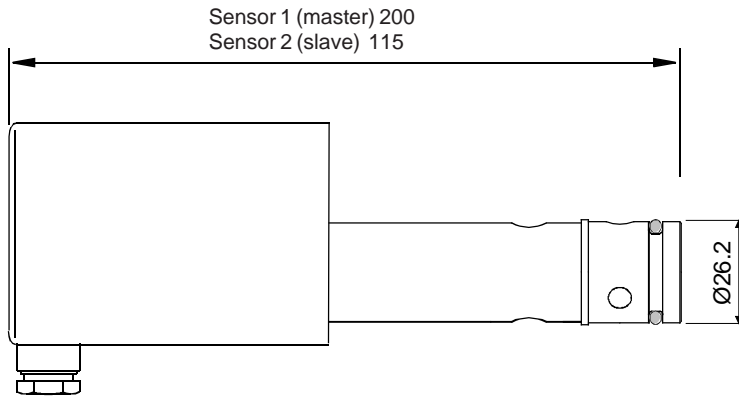


Process connections  
**Ax, Dx and Jx**,  
- flange with extension

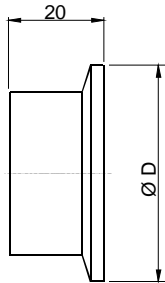
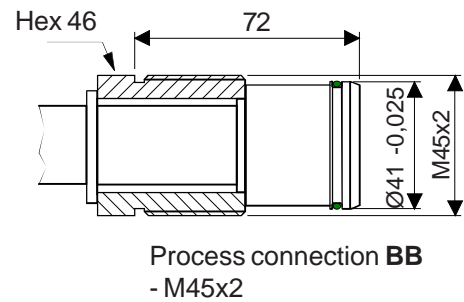
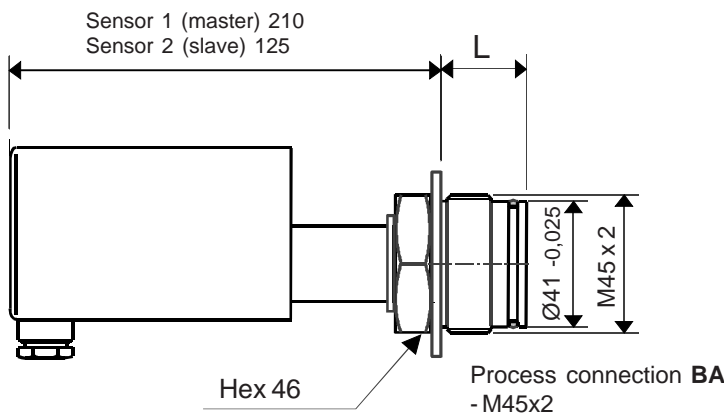
Code	E +0.4 -0.4	Es +0.3 -0.2
0	0	-
1	23	-
2	51	54,5
4	102	105
6	152	156

FLANGE SIZE	Flange dimens.			Holes			Extens. Ød -0.2
	b	D	Ød <sub>4</sub>	pcs	d <sub>2</sub>	k	
ISO DN25 PN40	18	115	68	4	14	85	48
ISO DN50 PN40	20	165	102	4	18	125	51
ISO DN80 PN40	24	200	138	8	18	160	73
ISO DN100 PN40	24	235	162	8	22	190	73
ANSI 1" 150 lbs	15	108	51	4	16	79.4	-
ANSI 1" 300 lbs	18	124	51	4	20	88.9	-
ANSI 2" 150 lbs	23	152	92	4	20	120.6	51
ANSI 2" 300 lbs	25	165	92	8	20	127	51
ANSI 3" 150 lbs	26	191	127	4	20	152.4	73
ANSI 3" 300 lbs	31	210	127	8	23	168.3	73
ANSI 4" 150 lbs	26	229	157	8	20	190.5	73
ANSI 4" 300 lbs	34	254	157	8	23	200	73
JIS 10K-50	16	155	96	4	19	120	51
JIS 40K-50	26	165	105	8	19	130	51
JIS 10K-80	18	185	126	8	19	150	73
JIS 40K-80	32	210	140	8	23	170	73
JIS 10K-100	18	210	151	8	19	175	73
JIS 40K-100	36	250	165	8	25	205	73

**Dimensional drawings** (dimensions in mm)



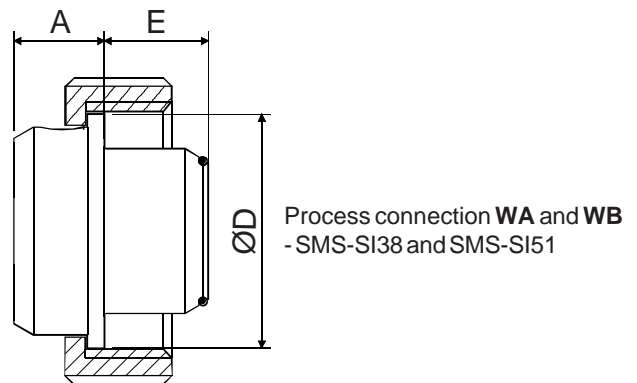
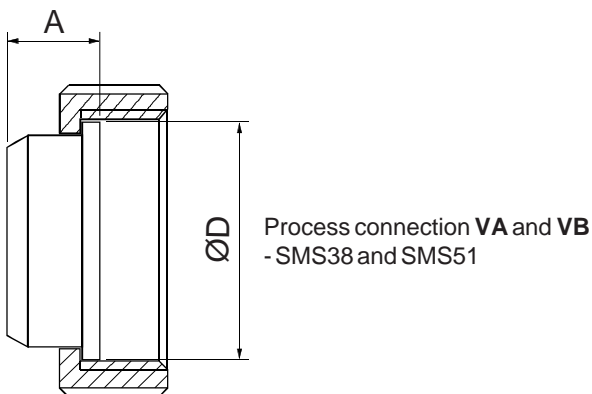
Process connection **PA**  
- PMC 1"



Process connections **TA , TB and TC**  
- Tri-clamp DN38 ... 63,5

DN	ØD
38	50.5
51	64
63.5	77.5

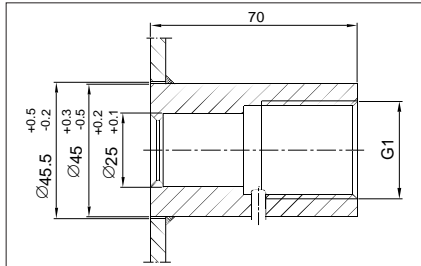
BA - extension code	L
0	28,5
2	51
3	72
4	102



Size	Dimensions		Thread
	ØD	A	
38	54	21	Rd 60 x 1/6
51	64	23	Rd 70 x 1/6

Size	Dimensions			Thread
	ØD	A	E	
SI38	54	21	24	Rd 60 x 1/6
SI51	64	23	27	Rd 70 x 1/6

## Process couplings, G1 thread



### Standard coupling

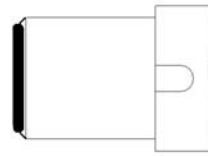
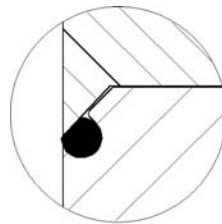
Material: AISI316L, Titanium or Hastelloy C

### Special couplings, e.g.:

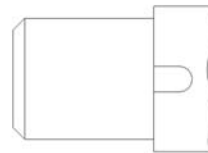
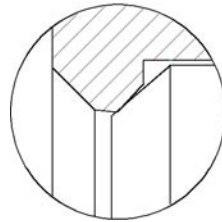
- G1 hygienic coupling, M548101
- G1/2A/G1 coupling, M546190
- G1/2A/G1 coupling with venting, M860280
- G1/2A/G1 couplings with bracket:
  - G1/2A male, M546195
  - G1/2 female, M550393

## Transmitter's process sealing G1 thread

Three different options are available for the transmitter's process sealing:



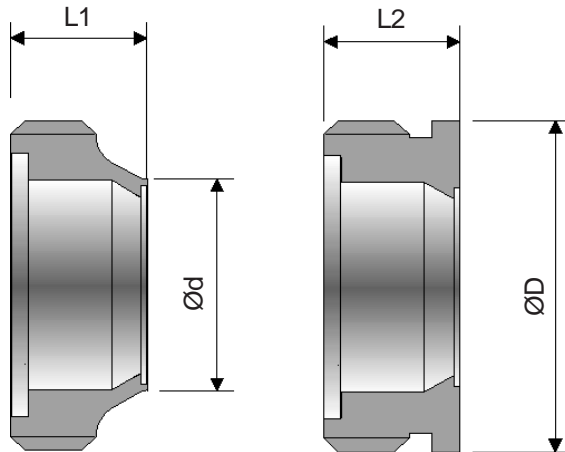
AISI316L, AISI317L or Duplex diaphragm, o-ring **FPM** (Viton) (code **G5**)  
EHEDG - certified



AISI316L, AISI317L or Duplex diaphragm, o-ring **EPDM** (code **G6**)  
EHEDG - certified

AISI316L, CoNi-, Duplex, Hastelloy C276 or Tantalum diaphragm, metal/metal taper sealing (diaphragm on sealing face) (code **G4**)

## SMS-SI couplings :

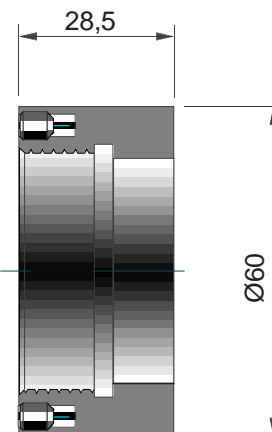


for pipe

for vessel

Size	Dimensions				Thread
	L1	Ød	L2	ØD	
38	27	38,5	24	60	Rd 60 x 1/6
51	30	51	25	70	Rd 70 x 1/6

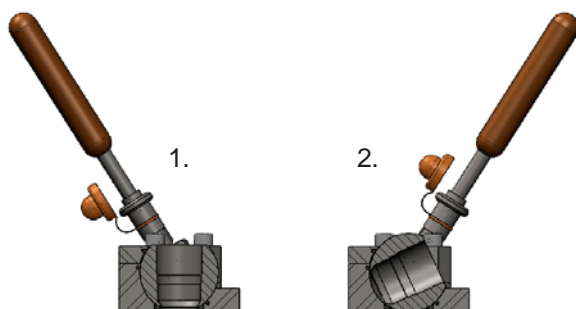
## Coupling M45x2 with adjust, for process connection BA, order code M1050459



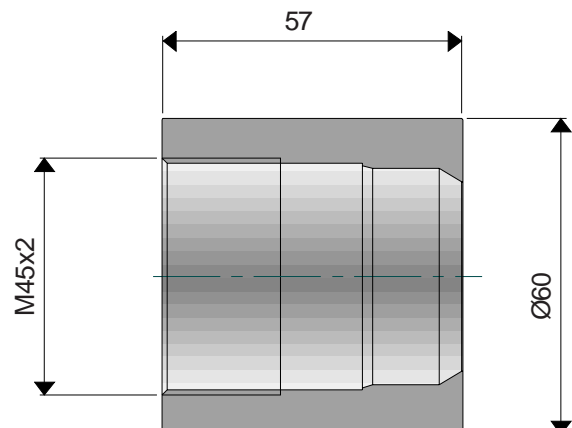
## Passive BA working position:

For process connections BA3 and BB

1. Transmitter in measuring
2. Transmitter can be checked, changed, calibrated or the transmitter diaphragm can be flushed



## Coupling BB M45x2, for process connection BB, order code M1050474 (Welding assistant, code M1050473)







### Selection Chart

Adjustability	Span, min	Span, max.	Measuring range
VDU4	4kPa (40 mbar)	100 kPa (1000 mbar)	-100...+100 kPa (-1000...1000 mbar)
VDU4/5	4kPa (40 mbar)	250 kPa (2500 mbar)	-100...+250 kPa (-1000...2500 mbar)
VDU5	26.5 kPa (265 mbar)	500 kPa (5000 mbar)	-100...+500 kPa (-1000...5000 mbar)
VDU5/6	26.5 kPa (265 mbar)	1 MPa (10 bar)	-0.1...+1 MPa (-1... 10 bar)
VDU6	0.145 MPa (1.45 bar)	3 MPa (30 bar)	-0.1...+3 MPa (-1...30 bar)

Output	S 4-20mA DC/HART®	D 4-20mA DC/HART® and with galvanic isolation 4-20mA
--------	-------------------	--

Process connections			
<b>DA</b>	DN25 PN40 ISO 2084-1974	<b>AB</b>	ANSI 1" 300 lbs ANSI B16-5
<b>DB</b>	DN50 PN40 ISO 2084-1974	<b>AC</b>	ANSI 2" 150 lbs ANSI B16-5
<b>DC</b>	DN80 PN40 ISO 2084-1974	<b>AD</b>	ANSI 2" 300 lbs ANSI B16-5
<b>DD</b>	DN100 PN40 ISO 2084-1974	<b>AE</b>	ANSI 3" 150 lbs ANSI B16-5
<b>JA</b>	JIS 10K 50 JIS B 2220	<b>AF</b>	ANSI 3" 300 lbs ANSI B16-5
<b>JB</b>	JIS 40K 50 JIS B 2220	<b>AG</b>	ANSI 4" 150 lbs ANSI B16-5
<b>JC</b>	JIS 10K 80 JIS B 2220	<b>AH</b>	ANSI 4" 300 lbs ANSI B16-5
<b>JD</b>	JIS 40K 80 JIS B 2220	<b>TA</b>	Tri-clamp DN38 PN40 ISO 2852
<b>JE</b>	JIS 10K 100 JIS B 2220	<b>TB</b>	Tri-clamp DN51 PN40 ISO 2852
<b>JF</b>	JIS 40K 100 JIS B 2220	<b>TC</b>	Tri-clamp DN63.5 PN40 ISO 2852
<b>AA</b>	ANSI 1" 150 lbs ANSI B16-5		
<b>UA</b>	Tuchenhagen DN50/40 (Varivent®) PN40		
<b>PA</b>	PMC 1" PN40		
<b>SA</b>	Sandvik DN70 PN64		
<b>BA</b>	M45x2 PN160		
<b>BB</b>	M45x2 PN160		
<b>G4</b>	G1 thread, metal/metal taper sealing		
<b>G5</b>	G1 thread, FPM O-ring sealing (¹)		
<b>G6</b>	G1 thread, EPDM O-ring sealing (¹)		
<b>VA</b>	SMS 38		
<b>VB</b>	SMS 51		
<b>WA</b>	SMS-SI 38 with extension 24 mm		
<b>WB</b>	SMS-SI 51 with extension 27 mm		

Extension length (mm)	(Flanged conn.)	(Sandvik conn.)	
0	0	-	(not proc.conn. SA)
1	23	-	(only proc.conn. DA1, DN25 PN40, max. +125 °C)
2	51	54.5	(not proc.conn. BB, VA, VB, WA, WB, Tx, UA, PA, DA, G1, G2, G4)
3	72	-	(only proc.conn. BA)
4	102	105	(not proc.conn. BB, VA, VB, WA, WB, Tx, UA, PA, DA, G1, G2, G4)
6	152	156	(not proc.conn. BB, VA, VB, WA, WB, Tx, UA, PA, DA, G1, G2, G4)

Wetted materials				Extension or other wetted parts		Diaphragm coating	
Diaphragm							
Code	Material	Code	Material	Code	Material	Code	Material
1	Nickel (x) (*)	5	Tantalum (*)	2	AISI316L	9	gold/Rhodium
2	AISI316L	6	Titanium (xx)	3	Hast.C 276	Y	diamond (specify only when coated)
3	Hast.C 276 (*)	8	Duplex (*)	8	Duplex		

Filling oil	S Silicone oil	G Inert oil	A Food industry oil (Neobee M20)
-------------	----------------	-------------	----------------------------------

Housing type, master
<b>N</b> Housing with junction box/terminal strip, display, inlet M20x1,5

Explosion proof	0 No explosion proof classification
-----------------	-------------------------------------

Process temperature	N -30 ... +125 °C	H 0 ... +200 °C (*)
	<b>S</b> +20 ... +70 °C (only process connections BA and DA)	

Cable between sensors	
<b>1</b>	PUR cable with M12 connector both end of cable
<b>2</b>	PVC cable with AISI316/ PG9 inlet, fixed factory mounted

Process couplings	Material
<b>0</b> Will be ordered separately	<b>2</b> AISI316L
<b>A</b> With coupling	<b>3</b> Hast.C276
	<b>6</b> Titanium
	<b>8</b> Duplex

Special sizes of electrical inlets (Standard M20x1.5)		
<b>N</b> 1/2 NPT	<b>G</b> Pg13.5	<b>P</b> PLUG connector, DIN43650

Documentation	
<b>Calibration certificate</b>	<b>AE</b> English
<b>Installation and Operating Instructions</b>	<b>IE</b> English <b>IF</b> Finnish

Material certificates	
<b>0</b>	No material certificate
<b>MC1</b>	Raw material certificate without appendixes, in accordance with SFS-EN 10204-2.1 (DIN 50049-2.1) standard
<b>MC2</b>	Raw material certificate for wetted parts, in accordance with SFS-EN 10204-2.2 (DIN 50049-2.2) standard
<b>MC3</b>	Raw material certificate for wetted parts, in accordance with SFS-EN 10204-3.1 B (DIN 50049-3.1 B) standard

(x) = only with flange  
(xx) = only with flange and G4  
(¹) = EHEDG - certified